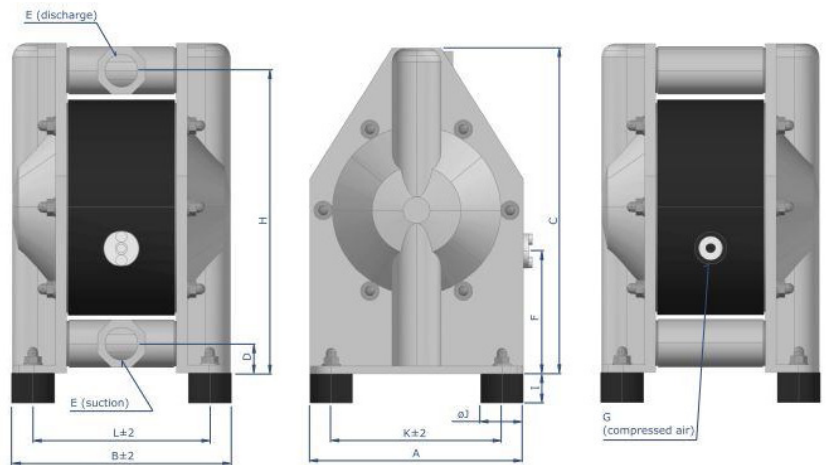


## POMPES PNEUMATIQUES A DOUBLE MEMBRANE

**Constructions métalliques**  
(version ATEX disponibles)



**MODELES : Aluminium, Fonte, Aluminium & téflon**



| DIMENSIONS | A   | B   | C   | D  | E        | F   | G      | H   | I  | øJ | K   | L   |
|------------|-----|-----|-----|----|----------|-----|--------|-----|----|----|-----|-----|
| DM 15/25   | 104 | 122 | 166 | 17 | G 1/2"   | 85  | R 1/8" | 153 | 10 | 15 | 84  | 98  |
| DM 20/75   | 150 | 171 | 230 | 21 | G 3/4"   | 84  | R 1/4" | 212 | 18 | 30 | 116 | 133 |
| DM 25/125  | 200 | 202 | 305 | 27 | G 1"     | 115 | R 1/4" | 280 | 28 | 40 | 160 | 164 |
| DM 40/315  | 273 | 267 | 417 | 34 | G 1 1/2" | 110 | R 1/2" | 382 | 28 | 40 | 220 | 213 |
| DM 50/565  | 352 | 345 | 546 | 48 | G 2"     | 165 | R 1/2" | 501 | 30 | 60 | 282 | 281 |
| DM 80/850  | 485 | 530 | 833 | 72 | G 3"     | 364 | R 3/4" | 760 | 40 | 75 | 410 | 449 |

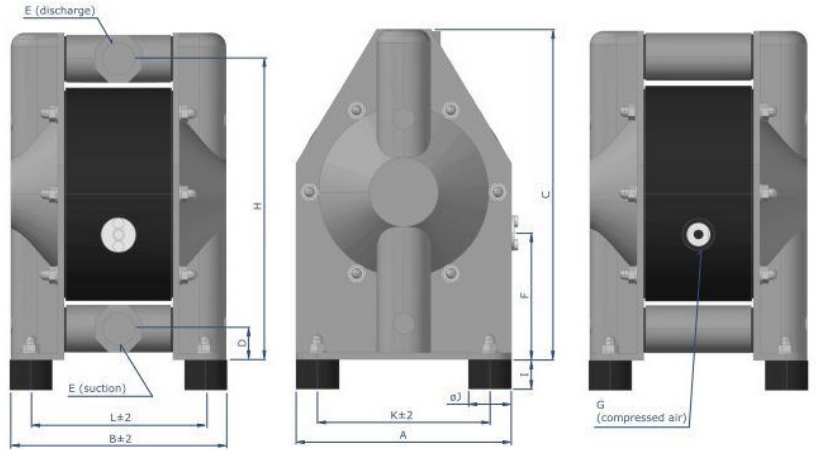
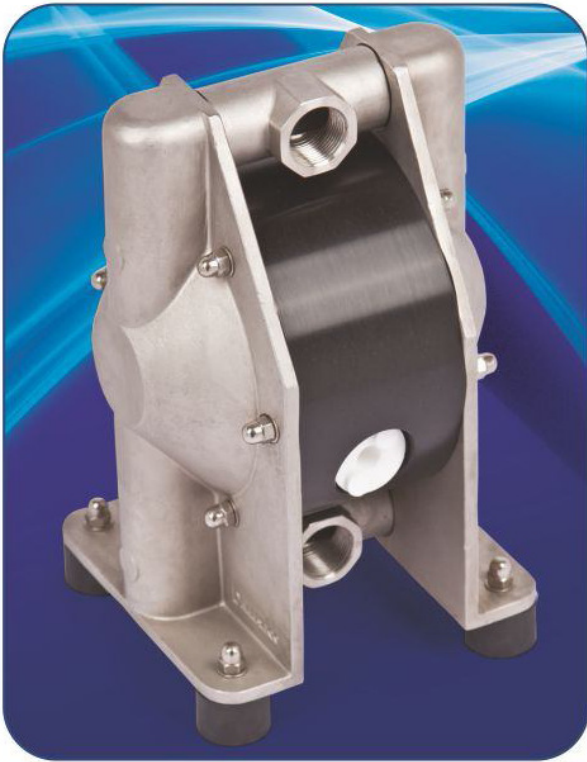
**CARACTERISTIQUES TECHNIQUES**

|                                     | 15/25  | 20/75  | 25/125 | 40/315 | 50/565 | 80/850 **       |
|-------------------------------------|--|--------|--------|--------|--------|-----------------|
| Max capacity (l/min)                | 25   | 75     | 125    | 315    | 565    | 850             |
| Max pressure (bar)                  | 8  |        |        |        |        |                 |
| Nominal port size                   | 1/2"   | 3/4"   | 1"     | 1 1/2" | 2"     | 3"              |
| Air connection                      | R 1/8"   | R 1/4" | R 1/4" | R 1/2" | R 1/2" | R 3/4"          |
| Suction lift dry (mWC)              | 2.0  | 3.0    | 4.0    | 4.0    | 5.0    | 5.0             |
| Suction lift wet (mWC)              | 9.0  |        |        |        |        | 8.0             |
| Max diameter solids (mm)            | 3  | 4      | 7      | 10     | 12     | 15              |
| Temperature limits - NBR, EPDM (°C) | 80   |        |        |        |        |                 |
| Temperature limits - PTFE (°C)      | 120  |        |        |        |        | 110             |
| Weight - Alu (kg)                   | 1.9  | 4.9    | 8      | 18     | 33     | 97              |
| Material of pump housing            | Aluminium, Aluminium Coated with PTFE, Cast Iron |        |        |        |        | Aluminium       |
| Diaphragm options                   | NBR, EPDM or TFM/PTFE                            |        |        |        |        |                 |
| Valve balls                         | NBR, EPDM, PTFE, AISI 316, PU                    |        |        |        |        | NBR, EPDM, PTFE |
| O-rings                             | NBR, EPDM, or FEP/FPM                            |        |        |        |        |                 |

\*\* Construction aluminium uniquement

Les données du tableau ci-dessus sont valables pour des pompes avec membranes NBR ou EPDM. Ces valeurs peuvent varier pour les pompes avec membranes PTFE.

**MODELES : Inox**



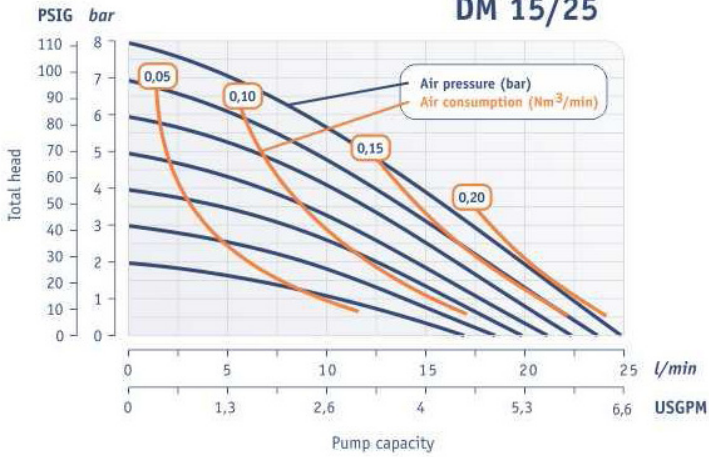
| DIMENSIONS | A   | B   | C   | D  | E        | F   | G      | H   | I  | ØJ | K   | L   |
|------------|-----|-----|-----|----|----------|-----|--------|-----|----|----|-----|-----|
| DM 20/75   | 150 | 171 | 230 | 21 | G 3/4"   | 86  | R 1/4" | 212 | 18 | 30 | 118 | 139 |
| DM 25/125  | 200 | 202 | 306 | 29 | G 1"     | 117 | R 1/4" | 282 | 28 | 40 | 160 | 164 |
| DM 40/315  | 270 | 267 | 412 | 34 | G 1 1/2" | 110 | R 1/2" | 380 | 28 | 40 | 213 | 213 |
| DM 50/565  | 350 | 345 | 538 | 48 | G 2"     | 165 | R 1/2" | 493 | 30 | 60 | 286 | 285 |

**CARACTERISTIQUES TECHNIQUES**

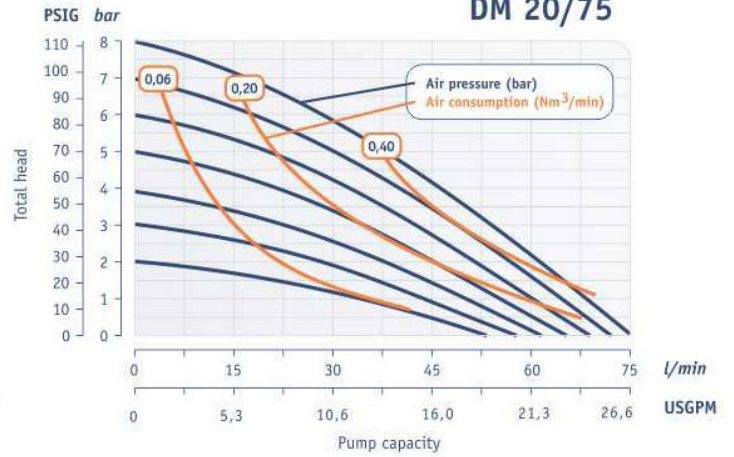
|                                     | 20/75                         | 25/125 | 40/315 | 50/565 |
|-------------------------------------|-------------------------------|--------|--------|--------|
| Max capacity (l/min)                | 75                            | 125    | 315    | 565    |
| Max pressure (bar)                  | 8                             |        |        |        |
| Nominal port size                   | 3/4"                          | 1"     | 1 1/2" | 2"     |
| Air connection                      | R 1/4"                        | R 1/4" | R 1/2" | R 1/2" |
| Suction lift dry (mWC)              | 3.0                           | 4.0    | 4.0    | 5.0    |
| Suction lift wet (mWC)              | 9.0                           |        |        |        |
| Max diameter solids (mm)            | 4                             | 7      | 10     | 12     |
| Temperature limits - NBR, EPDM (°C) | 80                            |        |        |        |
| Temperature limits - PTFE (°C)      | 120                           |        |        |        |
| Weight - AISI 316 (kg)              | 9.5                           | 14     | 31     | 70     |
| Material of pump housing            | AISI 316                      |        |        |        |
| Diaphragm options                   | NBR, EPDM or TFM/PTFE         |        |        |        |
| Valve balls                         | NBR, EPDM, PTFE, AISI 316, PU |        |        |        |
| O-rings                             | NBR, EPDM, or FEP/FPM         |        |        |        |

Les données du tableau ci-dessus sont valables pour des pompes avec membranes NBR ou EPDM. Ces valeurs peuvent varier pour les pompes avec membranes PTFE.

**DM 15/25**



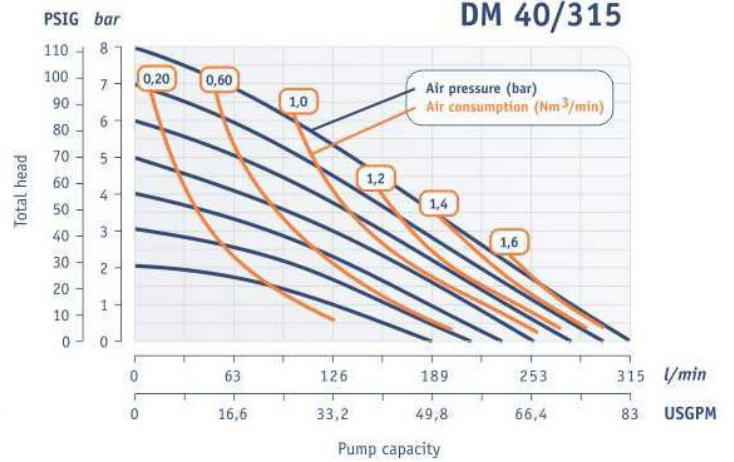
**DM 20/75**



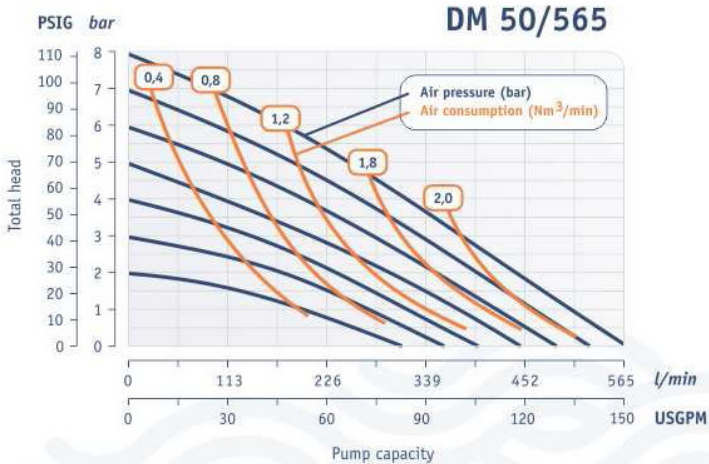
**DM 25/125**



**DM 40/315**



**DM 50/565**



**DM 80/850**

